

Metal clamp

LI

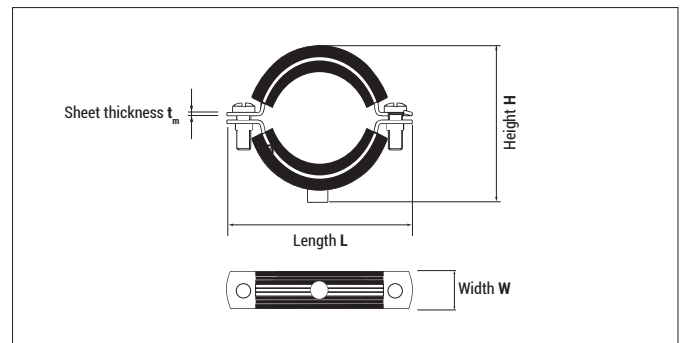


Advantages



- EPDM inlay: (sound-) insulated
- Easy to use
- Quick installation
- Connection thread: M6
- Strong design
- Temperature resistance: -30°C to +100 °C, suitable for hot water and heating pipes

Mounting



LI, yellow galvanized M6 connecting thread

Type	Art-No	Pipe-Ø			Load* ≤ [kg]	Sheet thickness t _m [mm]	Length L [mm]	Height H [mm]	Clamp width W [mm]	€ / 100 pcs	[pcs]	[pcs]
		Metric [mm]	Copper [mm]	Steel [inch]								
LI 12	9B12LI	-	12	-	55	1,2	41	23,5	11/12		100	900
LI 15	9B15LI	-	15	1/4"	55	1,2	43	25,0	11/12		100	900
LI 18	9B18LI	-	18	3/8"	55	1,2	47	29,0	11/12		100	900
LI 22	9B22LI	-	22	1/2"	55	1,2	51	33,0	11/12		50	450
LI 28	9B28LI	-	28	-	55	1,2	57	39,0	11/12		50	450
LI 35	9B35LI	-	35	1	55	1,2	66	47,0	11/12		25	225
LI 42	9B42LI	-	42	1 1/4	55	1,2	70	51,5	11/12		25	225

* Load incl. safety factor