

Insulation screw plug IPSD



Advantages



- Special screw plug for direct fastening into external thermal insulation composite systems (ETICS) - fast and without thermal bridges!
- For fastening of wall connection profiles, metal sheets, base protection profiles, cornice covers, motion detectors, lamps, signs, etc. into the insulation material
- To be used with plumber screws 4,5 mm
- Pre-drilling in plaster usually not necessary (≤ 7 mm) due to sharp drilling tip
- 80 mm length for a good hold in the insulation material
- Suitable for clearance holes $\geq \varnothing 8$ mm (common for wall profiles)
- Made out of robust glass-fibre reinforced nylon

Approvals and certificates



Suitable building materials

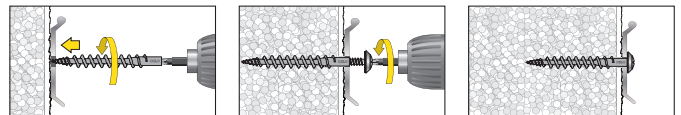
Very suitable



- External Thermal Insulation Composite Systems (ETICS)
- Styrofoam boards
- Hard foam boards
- Polystyrene boards
- Wood fibre boards (IPSD-H, see page 100, is recommended)

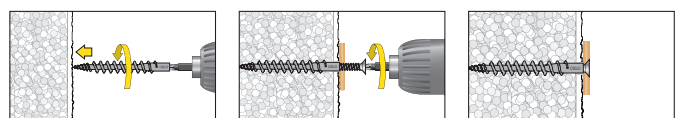
Mounting

Wall connection profiles



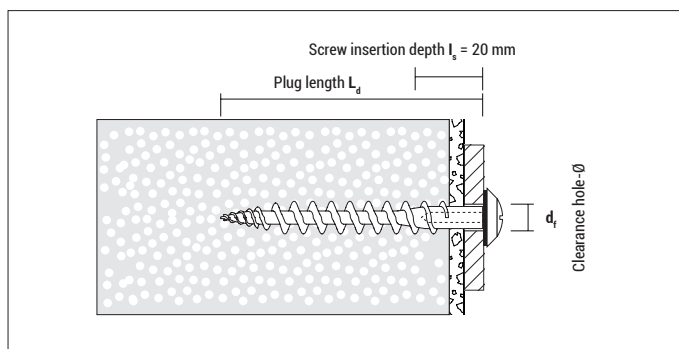
Recommended plumber screw: 4,5x25 mm

Light duty fixings with screw



The IPSD 80 can be installed using a TX25 bit.
Usable with screw $\varnothing 4,0$ mm;
Screw length $L_s = 15 - 20$ mm + Thickness of fixture

Insulation screw plug IPSD



IPSD 80

Type	Art-No	L_d [mm]	Drive	d_i [mm]	€ / 100 pcs	[pcs]	[pcs]
IPSD 80	9GR80IPSD	80	TX 25	min. 8		50	1.350



Plumber screw PLS TX



Type $d_0 \times L_s$	Art-No	Material	d_0 [mm]	L_s [mm]	Drive	€ / 100 pcs	[pcs]	[pcs]
4,5 x 25	9X4525PLST	stainless steel A2	4,5	25	TX 25		50	1.200
4,5 x 25	9XCO4525PLST	stainless steel A2, copper plated	4,5	25	TX 25		50	1.200

Expected delivery August 2020

Loads and dimensions

Type	Applications in Polystyrene EPS (PS15, PS20) unplastered F_{rec} [kN]	Applications in Polystyrene EPS (PS15, PS20) plastered F_{rec} [kN]	Application in Rockwool, Coverrock Plus unplastered F_{rec} [kN]	Applications in Polystyrene XPS (perimeter insulation) F_{rec} [kN]	Thickness of insulation material ≥ [mm]
IPSD 80	0,04	ca. 0,06*	0,02	0,09*	80

 F_{rec} : Recommended load in all directions incl. safety factor of 5

* Value may differ depending on the type and thickness of the plaster

Insulation screw plug IPSD-H



Advantages



- Special screw plug for direct fastening into wood fibre insulation boards - extremely fast and without thermal bridges!
- For fastening of wall connection profiles, metal sheets, base protection profiles, cornice covers, motion detectors, lamps, signs, etc. into the insulation material
- To be used with plumber screws 4,5x25 mm
- Pre-drilling in plaster usually not necessary (≤ 7 mm) due to sharp drilling tip
- Length only 55 mm; therefore also perfectly suitable for small insulation thicknesses (from 60 mm)
- Suitable for clearance holes $\geq \varnothing 8$ mm (common for wall connection profiles)
- Made out of glass-fibre reinforced nylon

Approvals and certificates



Suitable building materials

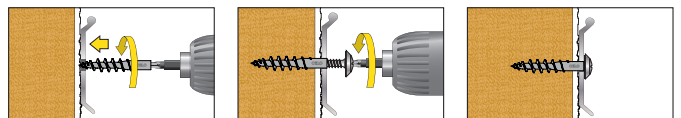
Very suitable



- Wood fibre boards
- Perimeter insulation panels

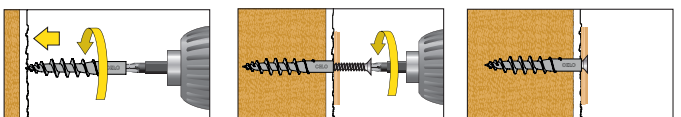
Mounting

Wall connection profiles



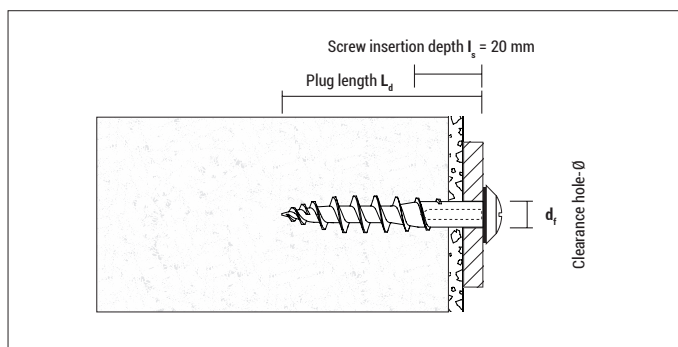
Recommended plumber screw: 4,5x25 mm

Light duty fixings with screw



Usable with: Screw $\varnothing 3,5$ mm;
Screw length $L_s = 10$ mm + Thickness of fixture

Insulation screw plug IPSD-H



IPSD-H

Type	Art-No	L_d [mm]	Drive	d_f [mm]	€ / 100 pcs	[pcs]	[pcs]
IPSD-H	9GR55IPSDH	55	TX 25	min. 8		50	1.350



Plumber screw PLS TX

Type $d_o \times L_s$	Art-No	Material	d_o [mm]	L_s [mm]	Drive	€ / 100 pcs	[pcs]	[pcs]
4,5x25	9X4525PLST	Stainless steel A2	4,5	25	TX 25		50	–
4,5x25	9XC04525PLST	Stainless steel A2, copper plated	4,5	25	TX 25		50	–

Expected delivery August 2020

Loads and dimensions

Type	Applications in wood fibre insulation boards unplastered F_{rec} [kN]	Applications in wood fibre insulation boards plastered F_{rec} [kN]	Applications in Polystyrene XPS (perimeter insulation) F_{rec} [kN]	Thickness of insulation material \geq [mm]
IPSD-H	0,1*	ca. 0,12*	0,07*	60

 F_{rec} : Recommended load in all directions incl. safety factor of 5

* Value may differ depending on the type and thickness of the plaster